

Installation Requirements

Slayer Steam LP 3-group

Counter

- Width: 44.5 inches / 113 centimeters
- Depth: 28 inches / 71 centimeters
- Height: 17 inches / 43.2 centimeters
- Weight: 305 lbs / 139 kg (tanks filled)
Measurements do not include overhanging components: portafilters.

Water

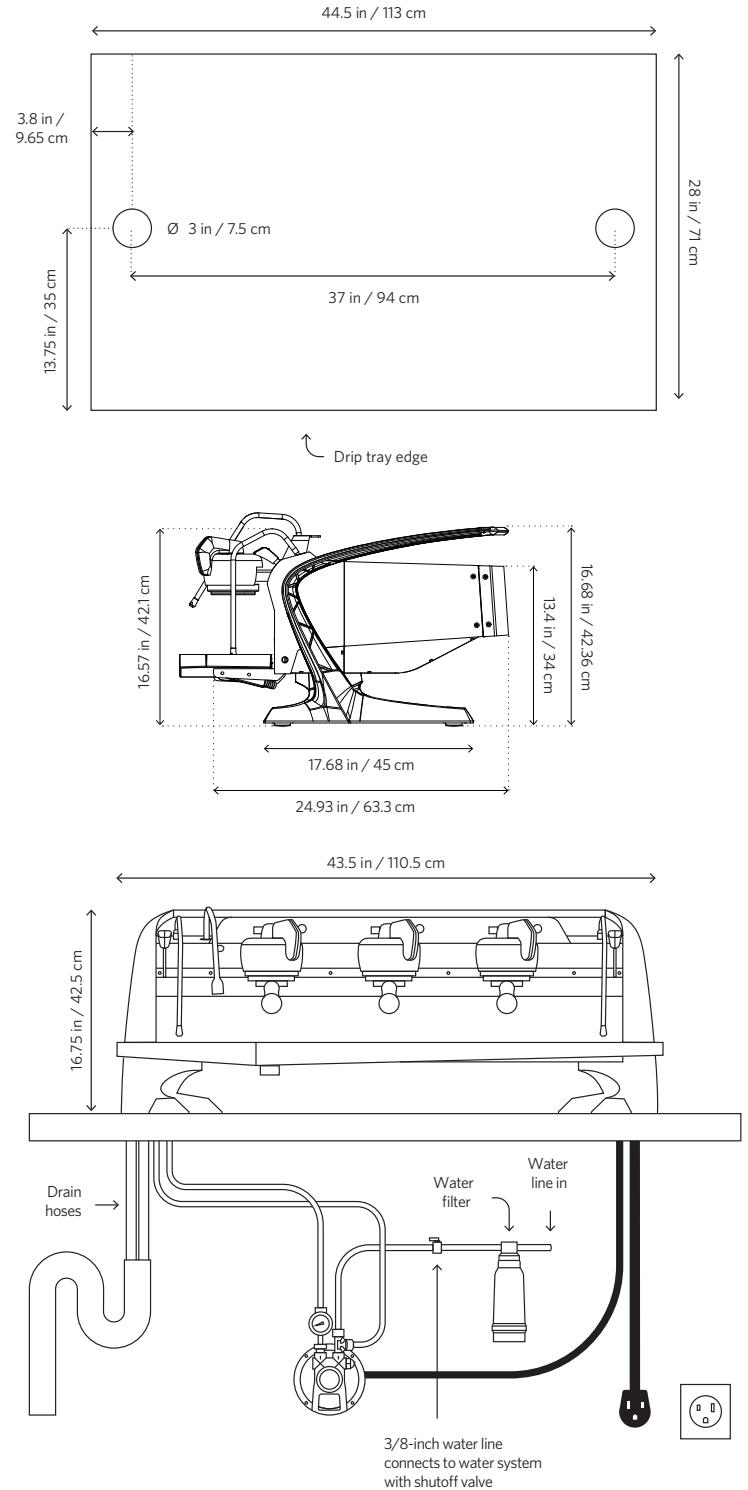
- 3/8-inch BSP dedicated cold water line with shutoff valve (in North America, 3/8-inch compression fitting is included)
- Required incoming water pressure:
3 Bar min, 5 Bar max
- Water hardness cannot exceed 50ppm, otherwise a water softener is needed

Power

- Single-phase: 220-240 v 50/60 hertz, 35 a, 6.3—7.5 kW
- Three-phase: 380-415 v 3n, 50/60 hertz, 22 a, 5.8—6.5 kW
- Receptacle: Nema 6-50

Drain

- Open gravity drain located within 4 feet / 1.2 meters of the machine
- Two (2) drain hoses: 7/8-inch outside diameter, 5/8-inch inside diameter (2.2-centimeter outside diameter, 1.6-centimeter inside diameter).
- Ensure drain line is always sloping downwards



STEAM LP

